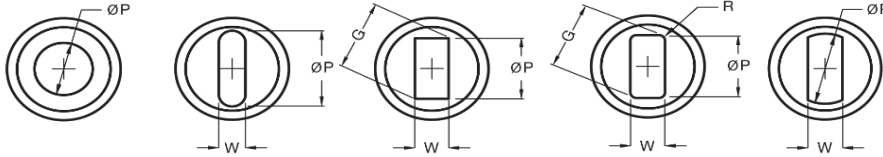


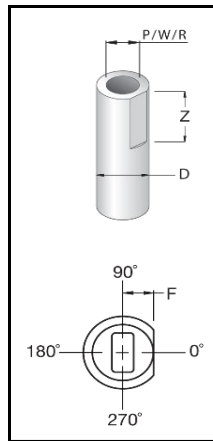
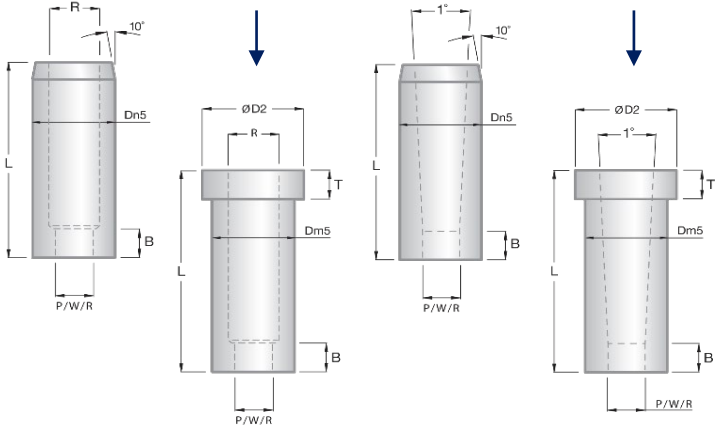
CUSTOMER		DIE / DETAIL #		UOM	QUANTITY	DIAMETER (D)	

ROUND (C)	OBLONG (O)	RECTANGLE (R)	LONG LIFE (L)	FLATTED (F)	SHAPE*	LENGTH (L)	



* See Tipco Catalog

COUNTERBORE (MTD / TD)	COUNTERBORE HEAD (MH / TH)	TAPERED (MFD / FD)	TAPERED HEAD TYPE (MFH / FH)	LOCATE METHOD TYPE*	LOCATE POSITION (DEGREE)*	W*	A*



F (Depth)* [or D/2 - F]

Z (Length)*

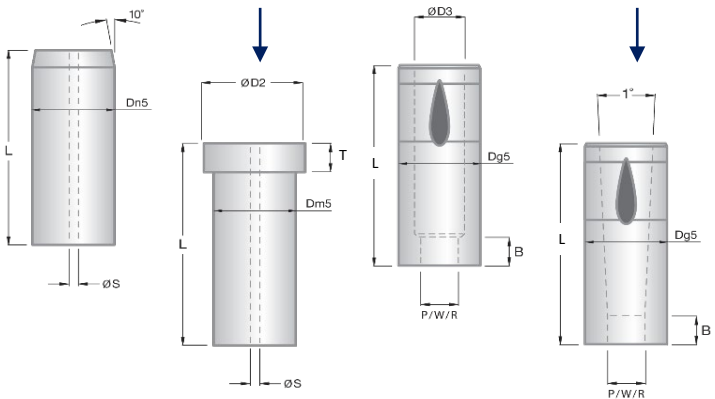
DOWEL SLOT DIAMETER*

B	TSK (Slug-Keeper)

ALTERATIONS (eg. Shear)	

HEAD DIA. (D2) **	HEAD LENGTH (T) **

WIRE (MFDW / FDW)	WIRE HEADED (MFHW / FHW)	BL COUNTERBORE (MBLD / BLD)	BL TAPERED (MFDBL / FDBL)

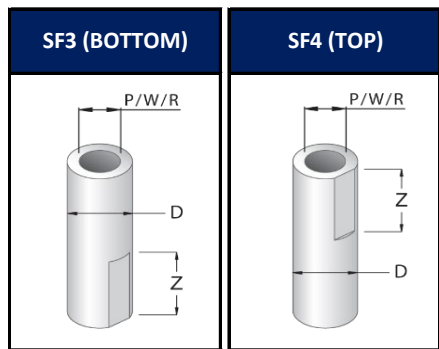


Locate Methods

SF = Single Flat FLF = Full Flat
 SF3 = Flat (Bot.) BS = Ball Seat
 SF4 = Flat (Top) DS = Dowel Slot
 DF = 2x Flat WTL = Windsor Lock

COATING TYPE

SINGLE FLAT (SF3 / SF4)



ETCHING INSTRUCTIONS

MATERIAL**

ADD. ALTERATIONS (eg. Shear)

Ex.:	MAT.	TYPE	SHAPE	DIA.	LENGTH	P / W / R	B	LOCATE DETAILS	OTHER
	M2	MFD	O	16	30	P10.0 W8.0	8.0	SF4 1.6 X 16.0	TSK

** If not standard (see Catalog)