

High-precision inch guide units Made in Germany





STEINEL – 100 years of excellence

Your partner for punching and bending technology

For 100 years, STEINEL Normalien AG has been a pioneer in the development of high-quality, innovative products. Founded in Villingen-Schwenningen, Germany, as a manufacturer of machine tools, STEINEL evolved over the decades into a leading partner for the punching and bending industry. Today, our family-owned company serves tool design and construction professionals worldwide with a portfolio of 25,000 products, all 100% made in Germany.

As specialists in punching and bending technology, STEINEL provides standard and customized components alongside comprehensive support in realizing complete system solutions. From product development to the construction of system modules, we deliver everything you need from a single source. This ensures maximum process reliability, exceptional quality, and service tailored to your unique needs.

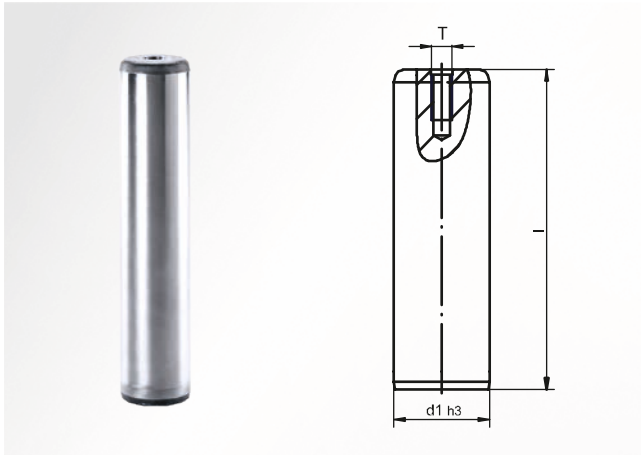
Explore our range of products and services:

- Guide units in standard and special size
- Tool frames and die sets
- Manifold plates and composite systems
- System springs and nitrogen cylinders
- Process-integrated tapping
- Active elements and spare parts management

ST7608 Guide pillar inch

smooth, with internal thread

STEINEL®



Material

Steel 1.1221 (C60E); hardened

Hardness

63 ±1 HRC

Installation instruction

press in; one-sided entry chamfer or centring attachment

Installation in mounting bore

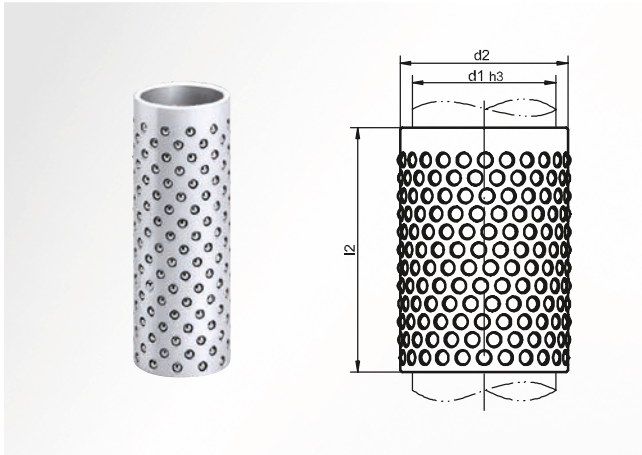
ISO R6

d_1^{h3} "	T "	l "	Item number
1	5/16 -18	3 1/4	ST7608 1.00X3.25
		3 3/4	ST7608 1.00X3.75
		4 1/4	ST7608 1.00X4.25
		4 1/2	ST7608 1.00X4.50
		4 3/4	ST7608 1.00X4.75
		5	ST7608 1.00X5.00
		5 1/4	ST7608 1.00X5.25
		5 1/2	ST7608 1.00X5.50
		5 3/4	ST7608 1.00X5.75
		6	ST7608 1.00X6.00
		6 1/2	ST7608 1.00X6.50
		7	ST7608 1.00X7.00
		7 1/2	ST7608 1.00X7.50
		8	ST7608 1.00X8.00
1 1/4	5/16 -18	4 1/4	ST7608 1.25X4.25
		4 3/4	ST7608 1.25X4.75
		5 1/2	ST7608 1.25X5.50
		5 3/4	ST7608 1.25X5.75
		6	ST7608 1.25X6.00
		6 1/2	ST7608 1.25X6.50
		7	ST7608 1.25X7.00
		7 1/2	ST7608 1.25X7.50
		8	ST7608 1.25X8.00
		8 1/2	ST7608 1.25X8.50
		9	ST7608 1.25X9.00
		11	ST7608 1.25X11.00
		12	ST7608 1.25X12.00
		1 1/2	3/8 -16
5	ST7608 1.50X5.00		
5 3/4	ST7608 1.50X5.75		
6	ST7608 1.50X6.00		
6 1/2	ST7608 1.50X6.50		
7	ST7608 1.50X7.00		
7 1/2	ST7608 1.50X7.50		
8	ST7608 1.50X8.00		
8 1/2	ST7608 1.50X8.50		
9	ST7608 1.50X9.00		
10	ST7608 1.50X10.00		
10 1/2	ST7608 1.50X10.50		
11	ST7608 1.50X11.00		
11 1/2	ST7608 1.50X11.50		

d_1^{h3} "	T "	l "	Item number		
1 1/2	3/8 -16	12	ST7608 1.50X12.00		
		12 1/2	ST7608 1.50X12.50		
		13	ST7608 1.50X13.00		
		14	ST7608 1.50X14.00		
1 3/4	3/8 -16	5	ST7608 1.75X5.00		
		5 3/4	ST7608 1.75X5.75		
		6 1/2	ST7608 1.75X6.50		
		7	ST7608 1.75X7.00		
		7 1/2	ST7608 1.75X7.50		
		8	ST7608 1.75X8.00		
		8 1/2	ST7608 1.75X8.50		
		9	ST7608 1.75X9.00		
		10	ST7608 1.75X10.00		
		10 1/2	ST7608 1.75X10.50		
		11	ST7608 1.75X11.00		
1 1/2	3/8 -16	11 1/2	ST7608 1.75X11.50		
		12	ST7608 1.75X12.00		
		12 1/2	ST7608 1.75X12.50		
		13	ST7608 1.75X13.00		
		14	ST7608 1.75X14.00		
		15	ST7608 1.75X15.00		
		17	ST7608 1.75X17.00		
		2	3/8 -16	5 3/4	ST7608 2.00X5.75
				6 1/2	ST7608 2.00X6.50
				7.25	ST7608 2.00X7.25
				7 1/2	ST7608 2.00X7.50
7 3/4	ST7608 2.00X7.75				
8	ST7608 2.00X8.00				
8 1/2	ST7608 2.00X8.50				
9	ST7608 2.00X9.00				
9 1/2	ST7608 2.00X9.50				
10	ST7608 2.00X10.00				
10 1/2	ST7608 2.00X10.50				
11	ST7608 2.00X11.00				
11 1/2	ST7608 2.00X11.50				
12	ST7608 2.00X12.00				
12 1/2	ST7608 2.00X12.50				
13	ST7608 2.00X13.00				
14	ST7608 2.00X14.00				
15	ST7608 2.00X15.00				
16	ST7608 2.00X16.00				
17	ST7608 2.00X17.00				
18	ST7608 2.00X18.00				

ST7630 Ball cage inch

Aluminium



Material

Aluminium EN AW-6082

Ball property

Steel; hardened; accuracy class G10; grade zero (N)

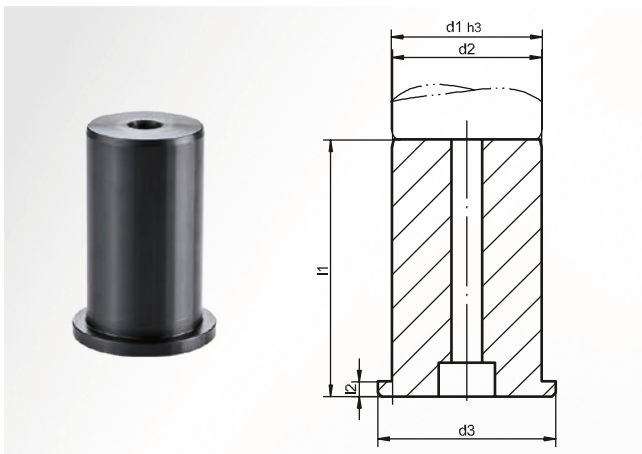
Note

Cage travel = 1/2 stroke length

d_1^{h3}	d_2	l_2	Item number
1	1.375	1 1/2	ST7630 1.00X1.50
		1 3/4	ST7630 1.00X1.75
		2	ST7630 1.00X2.00
		3	ST7630 1.00X3.00
		1 1/2	ST7630 1.00X3.50
		1 1/4	ST7630 1.00X4.00
1 1/4	1.625	2	ST7630 1.25X2.00
		2 1/4	ST7630 1.25X2.25
		2 1/2	ST7630 1.25X2.50
		2 3/4	ST7630 1.25X2.75
		3	ST7630 1.25X3.00
		3 1/4	ST7630 1.25X3.25
1 1/2	1.875	4	ST7630 1.25X4.00
		2 1/2	ST7630 1.50X2.50
		2 3/4	ST7630 1.50X2.75
		3	ST7630 1.50X3.00
		3 1/4	ST7630 1.50X3.25
		3 1/2	ST7630 1.50X3,50

d_1^{h3}	d_2	l_2	Item number
1 1/2	1.875	3 3/4	ST7630 1.50X3.75
		4 1/2	ST7630 1.50X4.50
1 3/4	2.125	2 3/4	ST7630 1.75X2.75
		3	ST7630 1.75X3.00
		3 1/4	ST7630 1.75X3.25
		3 1/2	ST7630 1.75X3.50
		3 3/4	ST7630 1.75X3.75
2	2.500	4	ST7630 1.75X4.00
		5 1/4	ST7630 1.75X5.25
		3 1/4	ST7630 2.00X3.25
		3 1/2	ST7630 2.00X3.50
		3 3/4	ST7630 2.00X3.75
2	2.500	4	ST7630 2.00X4.00
		4 1/4	ST7630 2.00X4.25
		4 1/2	ST7630 2.00X4.50
		5 1/4	ST7630 2.00X5.25
		6	ST7630 2.00X6.00

ST7632 Cage holder inch



Material

Steel 1.0503 (C45)

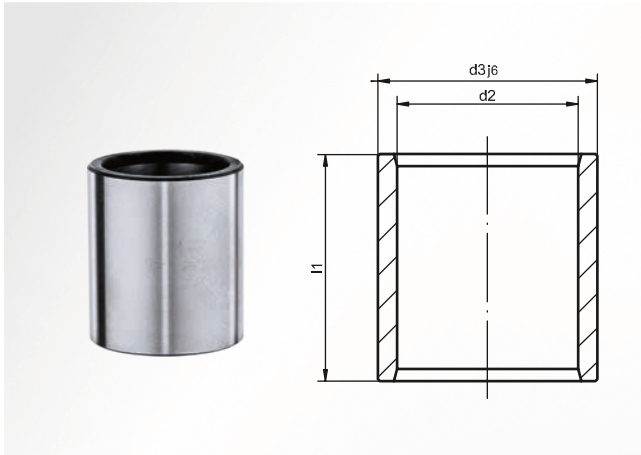
Note

the length of the cage holder should be half of that of the cage used

d_1^{h3}	d_2	d_3	l_1	for screw	l_2	Item number
1	0.875	1.250	2	5/16 -18	0.25	ST7632 1.00
1 1/4	1.125	1.500	2	5/16 -18	0.25	ST7632 1.25
1 1/2	1.374	1.750	2	3/8 -16	0.25	ST7632 1.50
1 3/4	1.625	2.000	2	3/8 -16	0.25	ST7632 1.75
2	1.874	2.374	2	3/8 -16	0.25	ST7632 2.00

ST7606 Guide bush inch

smooth



Material

Steel 1.3505 (100 Cr6)

Hardness

62 ±1 HRC

Installation instruction

Secure with adhesive; do not press in; one-sided entry chamfer or centring attachment

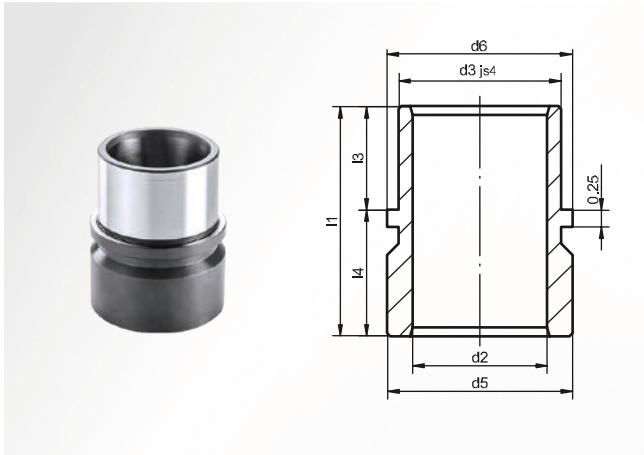
Installation in mounting bore

ISO G6

d_1^{h3} "	d_2 "	d_3^{j6} "	l_1 "	Item number
1	1.375	1.875	2 7/16	ST7606 1.00X2.437
			2 15/16	ST7606 1.00X2.937
			3 7/16	ST7606 1.00X3.437
			3 15/16	ST7606 1.00X3.937
1 1/4	1.625	2.125	2 7/16	ST7606 1.25X2.437
			2 15/16	ST7606 1.25X2.937
			3 7/16	ST7606 1.25X3.437
			3 15/16	ST7606 1.25X3.937
1 1/2	1.875	2.500	3	ST7606 1.50X3.000
			3 3/4	ST7606 1.50X3.750
			4 1/2	ST7606 1.50X4.500
			5 1/2	ST7606 1.50X5.000
1 3/4	2.125	2.750	3	ST7606 1.75X3.000
			4	ST7606 1.75X4.000
			5	ST7606 1.75X5.000
			5 1/2	ST7606 1.75X5.500
2	2.500	3.250	3	ST7606 2.00X3.000
			4	ST7606 2.00X4.000
			5	ST7606 2.00X5.000
			5 1/2	ST7606 2.00X5.500

ST7616 Guide bush inch with shoulder

STEINEL®



Material

Steel 1.7139 (16MnCrS5); case-hardened

Hardness

62 ±1 HRC

Installation instruction

Fixing with holding clamps

Installation in mounting bore

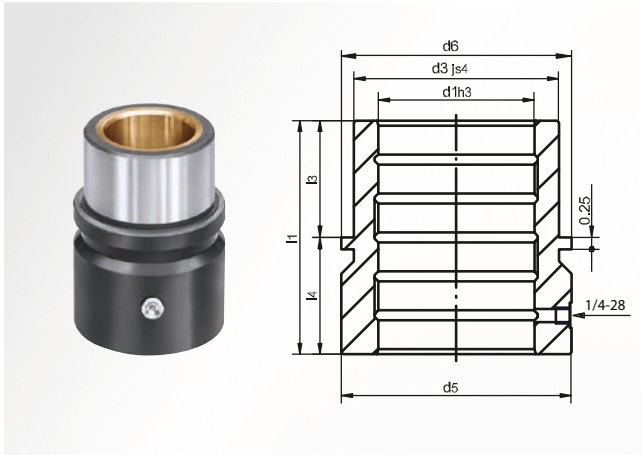
ISO H6

d_1^{h3}	d_2	d_3^{js4}	d_5	d_6	l_1	l_3	l_4	Item number
1	1.375	1.875	2.000	2.283	2 7/16	1.188	1.248	ST7616 1.00X2.437
					2 15/16	1.188	1.748	ST7616 1.00X2.937
					3 7/16	1.188	2.248	ST7616 1.00X3.437
1 1/4	1.625	2.125	2.500	2.531	2 15/16	1.188	1.748	ST7616 1.25X2.937
					3 7/16	1.188	2.248	ST7616 1.25X3.437
					3 15/16	1.188	2.748	ST7616 1.25X3.937
1 1/2	1.875	2.500	2.874	3.031	2 15/16	1.437	1.500	ST7616 1.50X2.937
					3 11/16	1.437	2.252	ST7616 1.50X3.687
					4 7/16	1.437	3.000	ST7616 1.50X4.437
1 3/4	2.125	2.750	2.874	3.283	4 3/16	1.688	2.500	ST7616 1.75X4.187
					3 7/16	1.688	1.748	ST7616 1.75X3.437
					4 15/16	1.688	3.248	ST7616 1.75X4.937
2	2.500	3.250	3.374	3.783	3 7/16	1.937	1.212	ST7616 2.00X3.437
					4 11/16	1.937	2.752	ST7616 2.00X4.687
					5 7/16	1.937	3.500	ST7616 2.00X5.437

ST7619 Guide bush inch

STEINEL®

bronze coating, steel sliding guide, hardened, with shoulder



Material

Steel 1.7139 (16MnCrS5); case-hardened

Hardness

62 ±1 HRC


Installation instruction

Fixing with holding clamps; central lubrication intended via funnel-type lubricating nipple

Installation in mounting bore

ISO H6

d_1^{h3}	d_3^{js4}	d_5	d_6	l_1	l_3	l_4	Item number
1	1.500	1.720	1.846	1 3/4	0.937	0.813	ST7619 1.00X1.750
				2 11/16	0.937	1.750	ST7619 1.00X2.687
				3 15/16	0.937	3.000	ST7619 1.00X3.937
1 1/4	1.750	1.941	2.094	1 15/16	1.125	0.812	ST7619 1.25X1.937
				3 1/8	1.125	2.000	ST7619 1.25X3.125
				4 1/8	1.125	3.000	ST7619 1.25X4.125
1 1/2	2.000	2.189	2.346	2	1.188	0.812	ST7619 1.50X2.000
				3 3/16	1.188	2.000	ST7619 1.50X3.187
				4 3/16	1.188	3.000	ST7619 1.50X4.187
1 3/4	2.250	2.503	2.657	2 3/8	1.375	1.000	ST7619 1.75X2.375
				3 3/8	1.375	2.000	ST7619 1.75X3.375
				4 3/8	1.375	3.000	ST7619 1.75X4.375
2	2.500	2.909	3.063	2 5/8	1.625	1.000	ST7619 2.00X2.625
				3 5/8	1.625	2.000	ST7619 2.00X3.625
				4 5/8	1.625	3.000	ST7619 2.00X4.625



STEINEL Normalien AG . Winkelstraße 7 . 78056 Villingen-Schwenningen . Germany
Phone +49 7720 6928-0 . Fax +49 7720 6928-970 . info@steinel.com . www.steinel.com

We cannot accept any liability for errors and mistakes. We reserve the right to make technical changes as progress brings improvement and changes in construction, measurements and materials. Copyright STEINEL Normalien AG

Printed in Germany . V402.002.EN.02 . 01/25 . design by com-a-tec.de